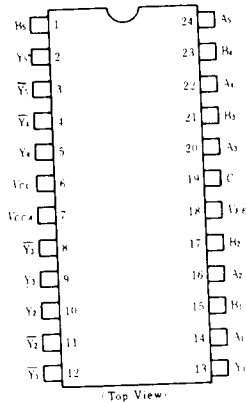


HD100102

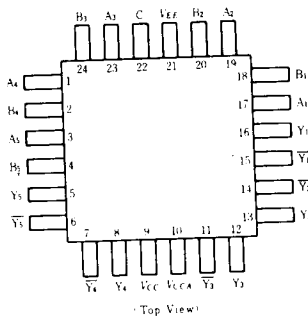
Quintuple 2-input OR/NOR Gates

PIN ARRANGEMENT

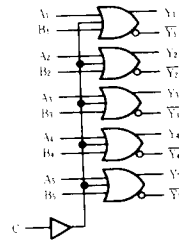
HD100102



HD100102F



LOGIC DIAGRAM



DC CHARACTERISTICS ($V_{EE} = -4.2$ to -4.8 V, $V_{CC} = V_{CCA} = \text{GND}$, $T_a = 0$ to $+85^\circ\text{C}$)

Item	Symbol	Test Condition	min	typ	max	Unit	
Supply Current	I_{EE}	All input open	38	55	80	mA	
Input Current	I_{IH}	$V_{IX} = V_{IH \text{ max}}$	Enable	—	—	300	μA
			All input except Enable	—	—	350	μA

Note) As for other items, refer to the "Common DC Characteristics".

AC CHARACTERISTICS ($V_{EE} = -2.2$ to -2.8 V, $V_{CC} = V_{CCA} = 2.0$ V)

HD100102

Item	Symbol	Test Condition	0°C		25°C			85°C		Unit
			min	max	min	typ	max	min	max	
Propagation Delay Time	t_{PLH}	See test circuit and waveform	0.50	1.20	0.50	0.75	1.25	0.50	1.30	ns
	t_{PHL}									
Transition Time	t_{TLH}		0.40	1.20	0.40	0.70	1.20	0.40	1.10	ns
	t_{THL}									

HD100102F

Item	Symbol	Test Condition	0°C		25°C			85°C		Unit
			min	max	min	typ	max	min	max	
Propagation Delay Time	t_{PLH}	See test circuit and waveform	0.50	0.95	0.50	0.75	0.95	0.50	1.05	ns
	t_{PHL}									
Transition Time	t_{TLH}		0.45	1.10	0.45	0.70	1.10	0.45	1.05	ns
	t_{THL}									

Note) the circuits in a test socket or mounted on a printed circuit board and transverse air flow greater than 2.5m/s (500 linear fpm) is maintained.