

Volume I: Disk

Hitachi DK815-10 [892MB]

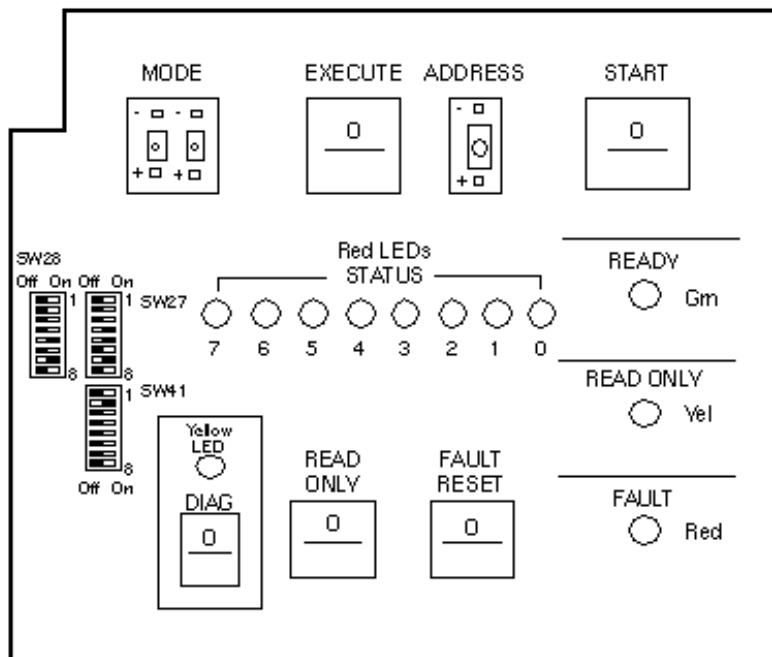
9" 3600 RPM ESMD

Options 629 / 630 / 631

Options 641 / 642 / 643 / 644 / 645 / 646

555-1008 [w Mounting Hardware]

370-1141



Switch Settings

Sector Count Switches - 68sectors pertrack

SWITCH	1	2	3	4	5	6	7	8
SW-27	Off	Off	Off	On	On	Off	On	Off
SW-41	Off	On	Off	Off	Off	Off	Off	Off

Drive Mode Switch

SWITCH	1	2	3	4	5	6	7	8
SW-28	Off	Off	Off	Off	On	Off	On	Off

Operator Panel

SWITCH	SETTING
Mode	00
Execute	N/A*
Address	0,1,2, or 3
Start	On
Fault Reset	N/A*
Diag	Off
Read Only	Off

*Indicates a momentary switch

Notes

1. A maximum of two drives may be installed in a system rack using the 115V power sequencer.
2. A maximum of four drives may be installed in a system rack using the 230V or 240V, 20 sec delay power sequencer.
3. The six and eight drive expansion racks are only available as factory installed configurations. Sun does not support installation in the field of more than four 892MB drives in any expansion rack.
4. The minimum software level is Sys4-3.2 or 3.5.
5. Different drive types cannot be connected to the same Xylogics 451 Disk Controller when an 892MB Disk Drive is installed.
6. The Xylogics 450 is not supported with the 892MB Disk Drive, and cannot be mixed with the Xylogics 451 in any 892MB configuration.

Reference

Sun 900 MByte Disk Drive Configuration Procedures, 813-2046-07.

Copyright 1994-2003 Sun Microsystems, Inc., 901 San Antonio Road, Palo Alto, CA 94303 USA.

All rights reserved.

[Legal Terms](#) [Privacy](#) [Policy](#) [Feedback](#)